

# PS2-1800 SHRE-32

## Solar Surface Pump System

### System Overview

Head	max. 60 m
Flow rate	max. 5.3 m³/h

### Technical Data

#### Controller PS2-1800

- Controlling and monitoring
- Control inputs for dry running protection, remote control etc.
- Protected against reverse polarity, overload and overtemperature
- Integrated MPPT (Maximum Power Point Tracking)
- Battery operation: Integrated low voltage disconnect
- Integrated Sun Sensor

Power	max. 1.8 kW
Input voltage	max. 200 V
Optimum $V_{mp}^{**}$	> 102 V
Motor current	max. 14 A
Efficiency	max. 98 %
Ambient temp.	-40...50 °C
Enclosure class	IP68

#### Motor ECDRIVE 1800-HRE

- Maintenance-free brushless DC motor
- Water filled
- Premium materials, stainless steel: AISI 304/316
- No electronics in the motor

Rated power	1.7 kW
Efficiency	max. 92 %
Motor speed	1,500...3,000 rpm
Insulation class	F
Enclosure class	IP68

#### Pump End PE SHRE-32\*\*\*

- Premium materials, stainless steel: AISI 304/316
- Helical rotor pump

Efficiency	max. 65 %
------------	-----------

#### Pump Unit PU1800 SHRE-32 (Motor, Pump End)

Water temperature	max. 50 °C
Suction head	max. 3.5 m

### Standards



2006/42/EC, 2004/108/EC, 2006/95/EC

IEC/EN 61702:1995, IEC/EN 62253 Ed.1

The logos shown reflect the approvals that have been granted for this product family. Products are ordered and supplied with the approvals specific to the market requirements.

\*\* $V_{mp}$ : MPP-voltage under Standard Test Conditions (STC): 1000 W/m² solar irradiance, 25 °C cell temperature

\*\*\*Specify temperature range on order

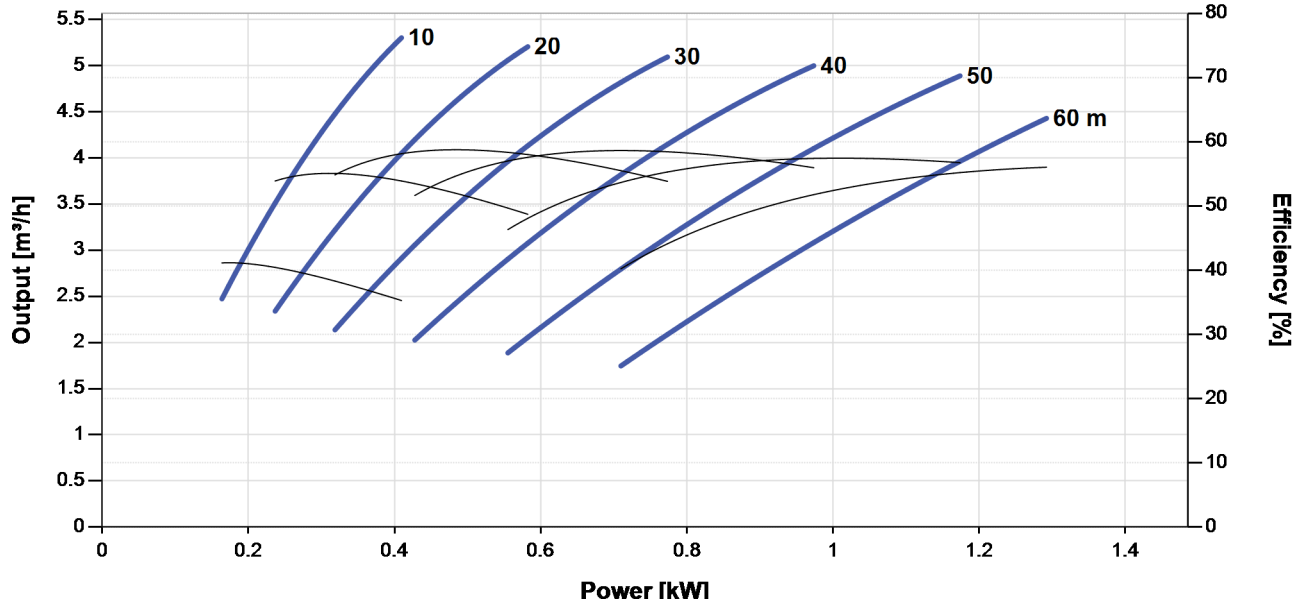


## PS2-1800 SHRE-32

Solar Surface Pump System

### Pump Chart

Vmp\* > 102 V



### Dimensions and Weights

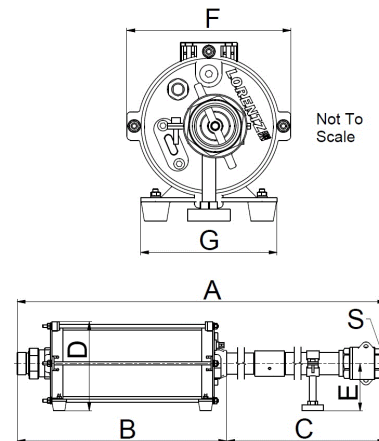
#### Controller

H1 = 352 mm  
 H2 = 333 mm  
 W1 = 207 mm  
 W2 = 170 mm  
 W3 = 164 mm  
 D1 = 124 mm



#### Pump Unit

A = 1,112 mm  
 B = 405 mm  
 C = 707 mm  
 D = 168 mm  
 S = 1.5 in  
 E = 89 mm  
 F = 154 mm  
 G = 128 mm



Not To Scale

	Net weight
Controller	6.0 kg
Pump Unit	13 kg
Motor	7.0 kg
Pump End	5.5 kg

\*Vmp: MPP-voltage under Standard Test Conditions (STC): 1000 W/m² solar irradiance, 25 °C cell temperature

