

# PS2-150 AHR-07S

## Solar Submersible Pump System for 3,5" wells

### System Overview

Head	max. 40 m
Flow rate	max. 1.2 m <sup>3</sup> /h

### Technical Data

#### Controller PS2-150

- Controlling and monitoring
- Control inputs for dry running protection, remote control etc.
- Protected against reverse polarity, overload and overtemperature
- Integrated MPPT (Maximum Power Point Tracking)
- Battery operation: Integrated low voltage disconnect

Power	max. 0.30 kW
Input voltage	max. 50 V
Optimum Vmp**	> 17 V
Motor current	max. 22 A
Efficiency	max. 98 %
Ambient temp.	-40...50 °C
Enclosure class	IP68

#### Motor ECDRIVE 150-AHR-S

- Maintenance-free brushless DC motor
- Water filled
- Premium materials, stainless steel: AISI 304
- No electronics in the motor

Rated power	0.3 kW
Efficiency	max. 92 %
Motor speed	600...3,300 rpm
Insulation class	F
Enclosure class	IP68
Submersion	max. 150 m

#### Pump End PE AHR-07S\*\*\*

- Non-return valve
- Premium materials, stainless steel: AISI 304/316
- Optional: dry running protection
- Helical rotor pump



#### Pump Unit PU150 AHR-07S (Motor, Pump End)

Borehole diameter	min. 3,5 in
Water temperature	max. 50 °C

### Standards



2006/42/EC, 2004/108/EC, 2006/95/EC

IEC/EN 61702:1995

The logos shown reflect the approvals that have been granted for this product family. Products are ordered and supplied with the approvals specific to the market requirements.

\*\*Vmp: MPP-voltage under Standard Test Conditions (STC): 1000 W/m<sup>2</sup> solar irradiance, 25 °C cell temperature

\*\*\*Specify temperature range on order

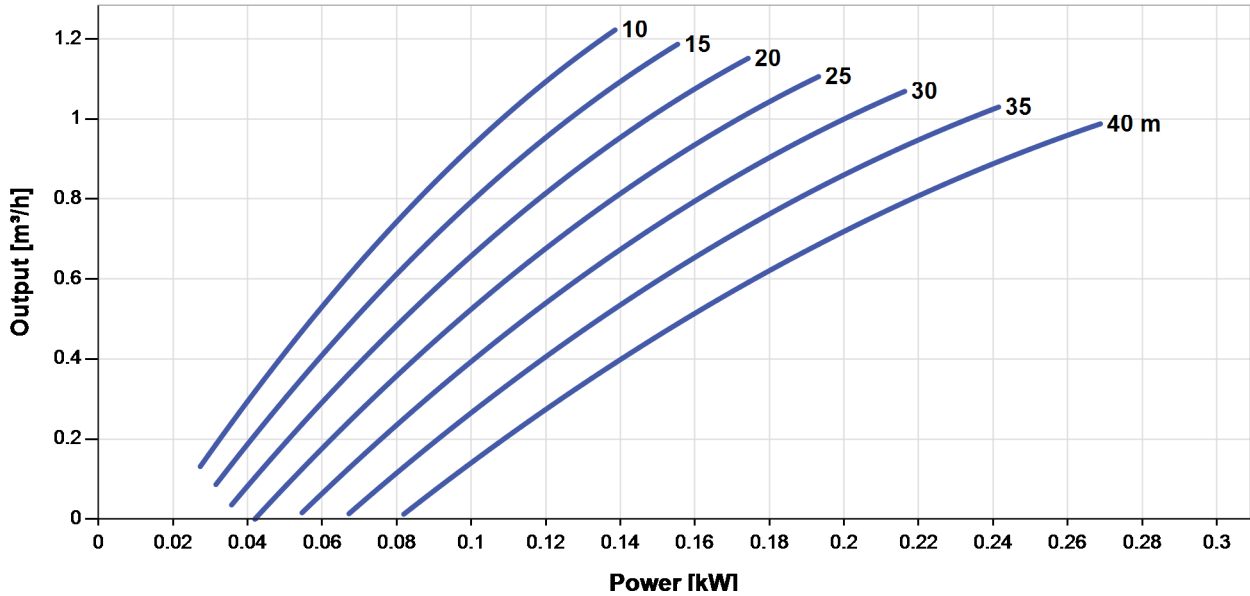


## PS2-150 AHR-07S

### Solar Submersible Pump System for 3,5" wells

#### Pump Chart

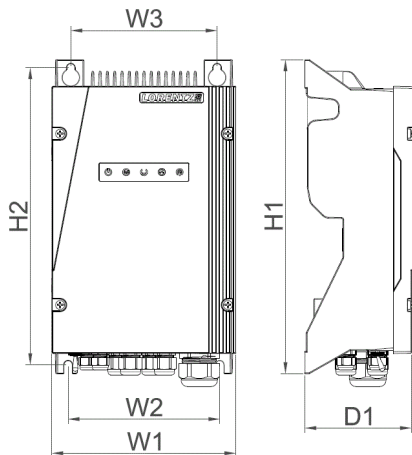
Vmp\* > 17 V



#### Dimensions and Weights

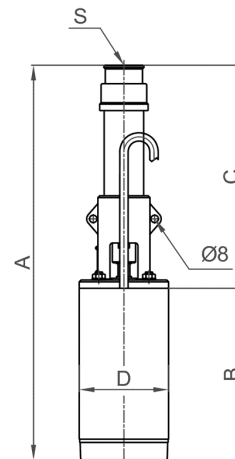
##### Controller

H1 = 352 mm  
 H2 = 333 mm  
 W1 = 207 mm  
 W2 = 170 mm  
 W3 = 164 mm  
 D1 = 124 mm



##### Pump Unit

A = 454 mm  
 B = 211 mm  
 C = 243 mm  
 D = 88 mm  
 S = 1 in



	Net weight
Controller	5.6 kg
Pump Unit	8.4 kg
Motor	6.8 kg
Pump End	1.6 kg

\*Vmp: MPP-voltage under Standard Test Conditions (STC): 1000 W/m² solar irradiance, 25 °C cell temperature

